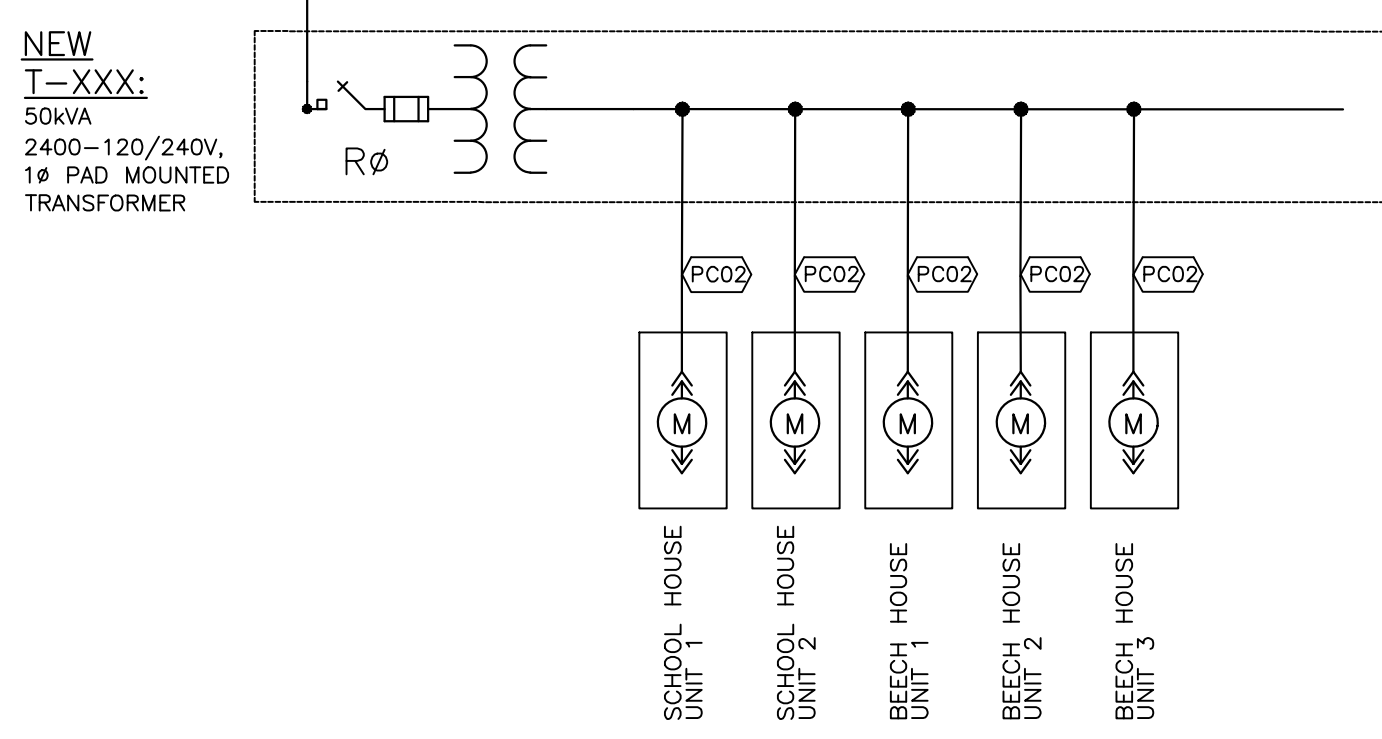
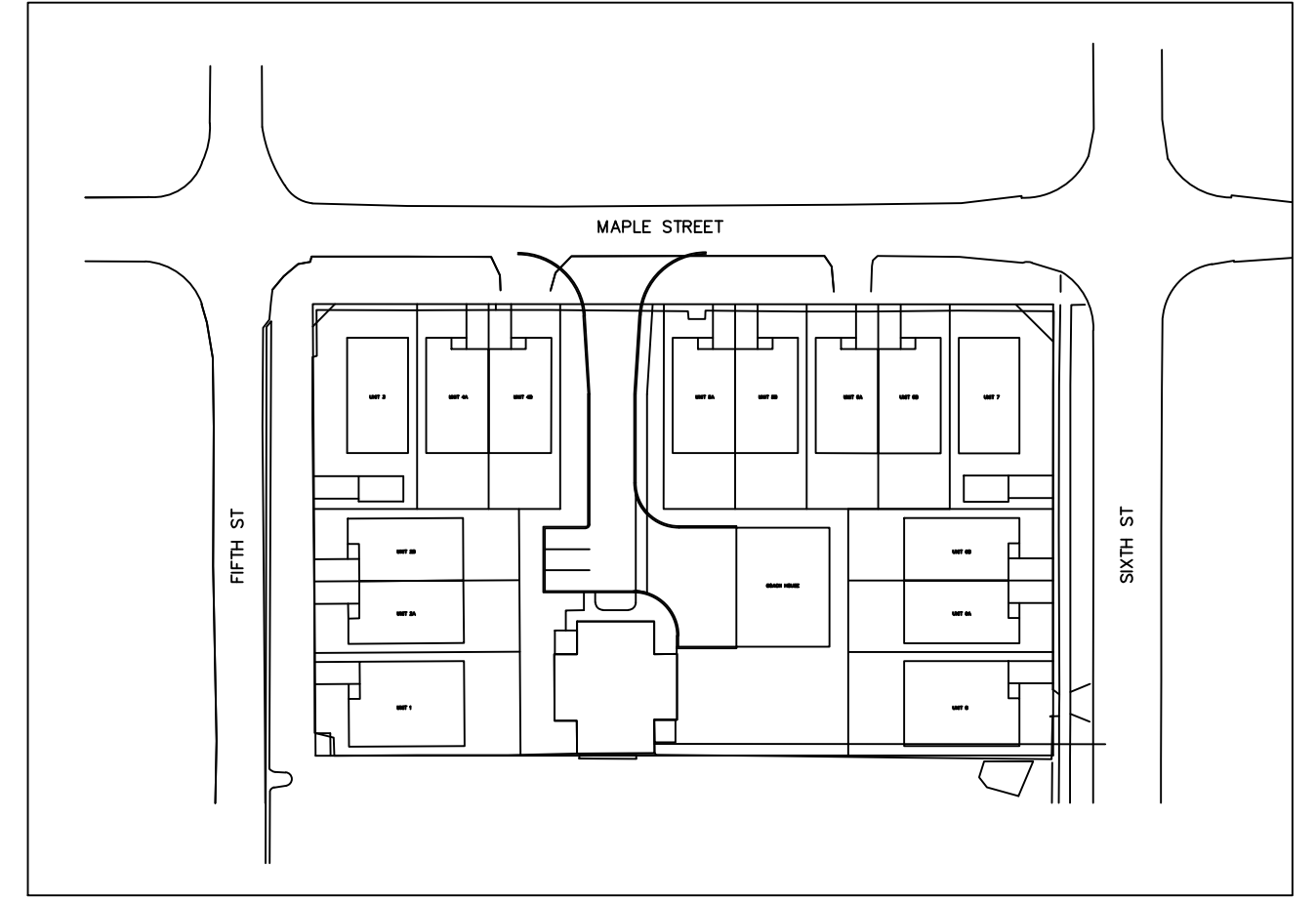


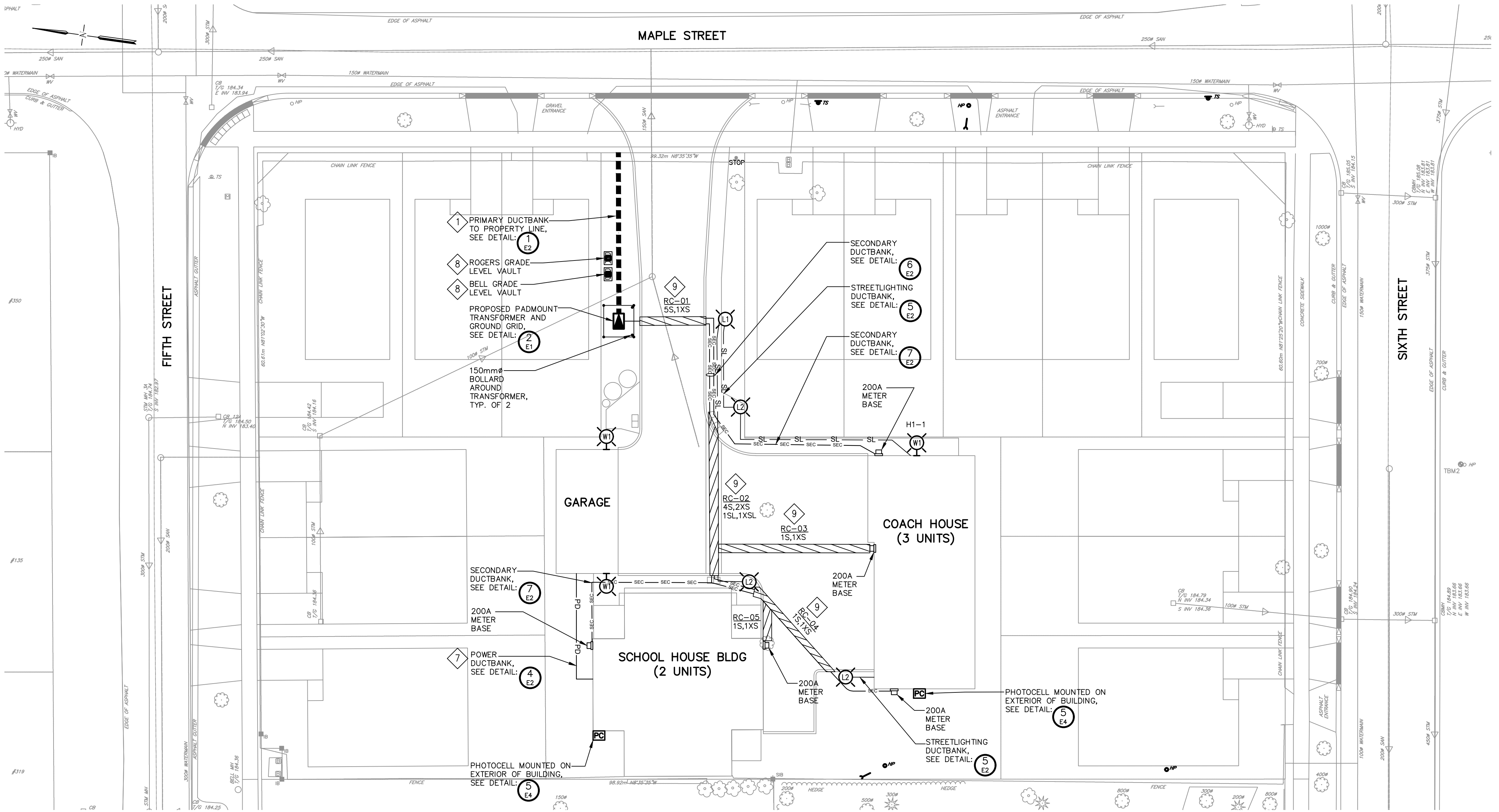
PRIMARY CABLE DESCRIPTION	INSTALLATION
(PC01) FUTURE PRIMARY FEEDER CABLES: 1C#1/0 AWG Cu CLASS B STRANDED, 15kV RATED, TRXLPE, 100% CONCENTRIC NEUTRAL, IN UNDERGROUND DUCTBANK, COMPLIES WITH CSA C68.3, LATEST ISSUE.	2-103mmØ TYPE DB2 DIRECT BURIED DUCT(S) (1-SPARE) WITH SAND BEDDING ALL AROUND.
(PC02) 3C#4/0, AL TYPE USE90, CLASS 'B' STRANDED, 600V RATED, 2-CONDUCTOR + 100% NEUTRAL, XLPE INSULATION PVC JACKET	1-103mmØ TYPE DB2 DIRECT BURIED DUCT(S) WITH SAND BEDDING ALL AROUND.



2 SINGLE LINE DIAGRAM - 120/240V
E1 - NTS



KEYPLAN n.t.s



1 ELECTRICAL SITE PLAN - ELECTRICAL POWER LAYOUT
E1 - SCALE 1:250. DIMENSIONS SHOWN IN MILLIMETERS (mm).

ELECTRICAL LEGEND

- PROPOSED POST TOP STREET LIGHT
- PAD MOUNT TRANSFORMER
- ROGERS GRADE LEVEL PEDESTAL
- BELL GRADE LEVEL PEDESTAL
- EXAMPLE OF PROPOSED UNDERGROUND ROAD CROSSINGS, DUCT BANK (TYPE DB2) FOR ELECTRICAL CABLES AS FOLLOWS:
 - 1P = ONE PRIMARY DUCT
 - 1XP = ONE PRIMARY SPARE DUCT
 - 1S = ONE SECONDARY DUCT
 - 1XS = ONE SECONDARY SPARE DUCT
 - 1SL = ONE STREET LIGHT DUCT
 - 1XSL = ONE STREET LIGHT SPARE DUCT
 - 2C = TWO COMMUNICATIONS DUCT
- PROPOSED PRIMARY ELECTRICAL SERVICE DUCTBANK
- PROPOSED SECONDARY ELECTRICAL SERVICE CABLES
- PROPOSED STREET LIGHT CABLE(S) AND 53mmØ CONDUIT (PVC TYPE DB2), TRENCH BY ELECTRICAL CONTRACTOR.
- PROPOSED COMMUNICATIONS SERVICE DUCTBANK.
- 200A METER BASE

- ### NOTES:
- 1 ALL PRIMARY AND SECONDARY CABLE TERMINATIONS INSIDE EACH TRANSFORMER WILL BE PERFORMED BY EPCOR.
 - 2 ELECTRICAL SERVICE TO EACH UNIT: 200AMP MAX., 120/240VAC, 1-PHASE, 60Hz.
 - 3 ALL EQUIPMENT AND CABLES TO BE OWNED AND OPERATED BY EPCOR.
 - 4 SECONDARY CABLES TO INCLUDE CONCRETE ENCASE AND 103mmØ TYPE DB2 DUCT FOR EACH CABLE AT ALL ROAD CROSSINGS.
 - 5 REFER TO EPCOR GENERAL CONTRACTOR INFORMATION, AS PROVIDED ON THEIR WEBSITE: www.epcor.com
 - 6 CONTRACTOR TO COORDINATE CONNECTION OF DUCTBANK AT PROPERTY LIMITS WITH EPCOR.
 - 7 CONTRACTOR TO PROVIDE POWER FEED FROM SCHOOL HOUSE BUILDING TO GARAGE BUILDING FOR LIGHTING AND EXTERIOR POWER LOADS.
 - 8 COMMUNICATION VAULTS SHOWN FOR SITE PLAN APPROVAL LOCATIONS ONLY. CONTRACTOR TO COORDINATE WITH COMMUNICATIONS PROVIDERS FINAL LOCATION.
 - 9 ROAD CROSSING DO NOT INCLUDE COMMUNICATION DUCTBANKS. CONTRACTOR TO COORDINATE WITH BOTH COMMUNICATION PROVIDERS DUCTBANK REQUIREMENTS.

1. This drawing is the exclusive property of Runge & Associates Inc. and the reproduction of any part without prior written consent of this office is strictly prohibited.

2. The contractor shall verify all dimensions, levels, and datums on site and report any discrepancies or omissions to this office prior to construction.

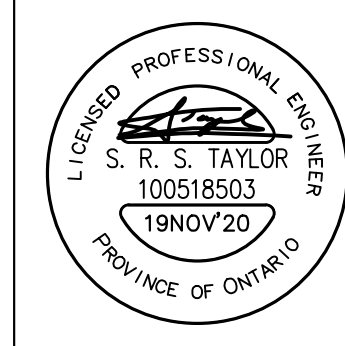
3. This drawing is to be read and understood in conjunction with all other plans and documents applicable to this project.



ACCEPTED FOR CONSTRUCTION EPCOR

per

Date:



No.	ISSUE OR REVISION	DATE DD/MM/YY	ISSUER
1	ISSUED FOR PRELIMINARY REVIEW	16/11/20	SRT
2	ISSUED FOR SITE PLAN APPROVAL	19/11/20	SRT

Runge & Associates Inc.
864 Hurontario Street
P.O. Box 387
Collingwood, ON L9Y 3Z7

b: (705) 446-3590
f: (705) 446-3588
www.rungeengineers.ca

Client: VICTORIA ANNEX DEVELOPMENT

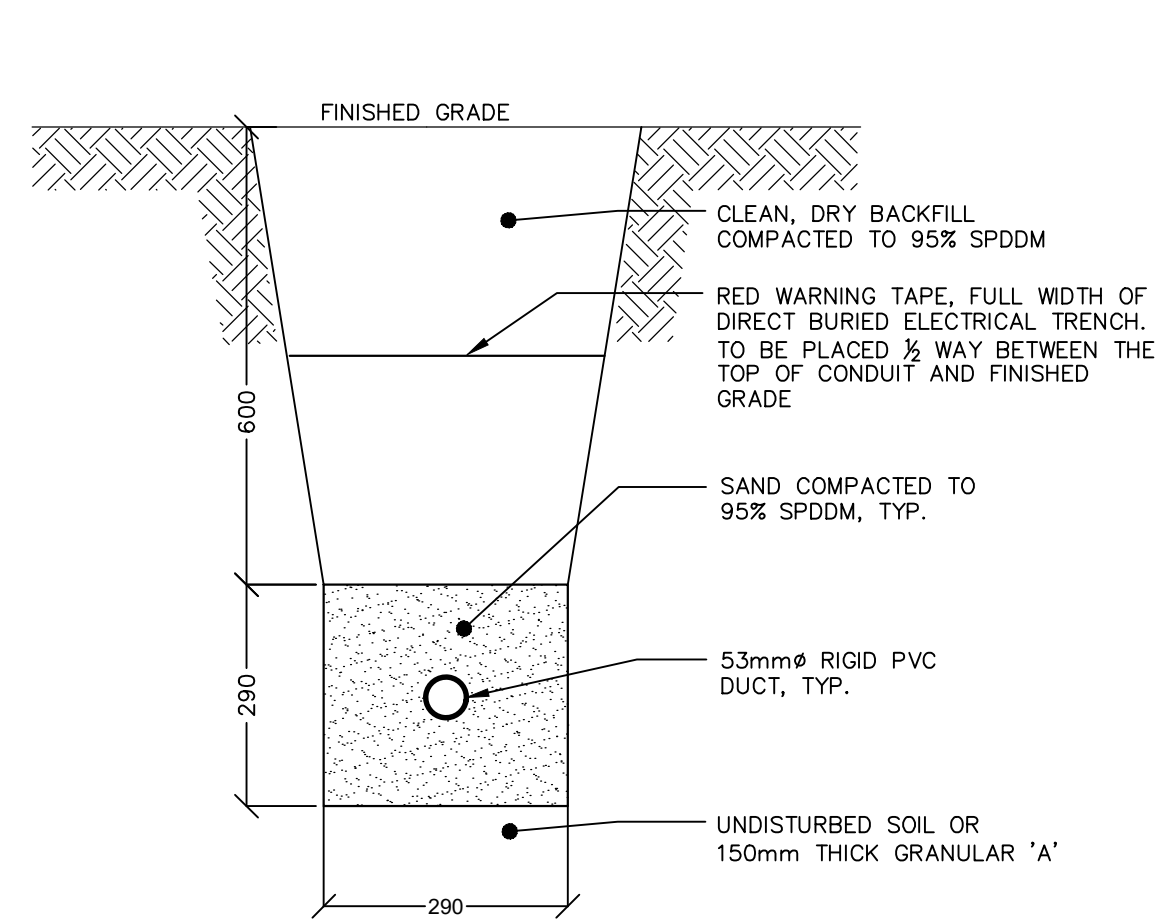
Project Name: VICTORIA ANNEX DEVELOPMENT TOWN OF COLLINGWOOD ONTARIO

Drawing Title: SITE PLAN ELECTRICAL & LIGHTING LAYOUT

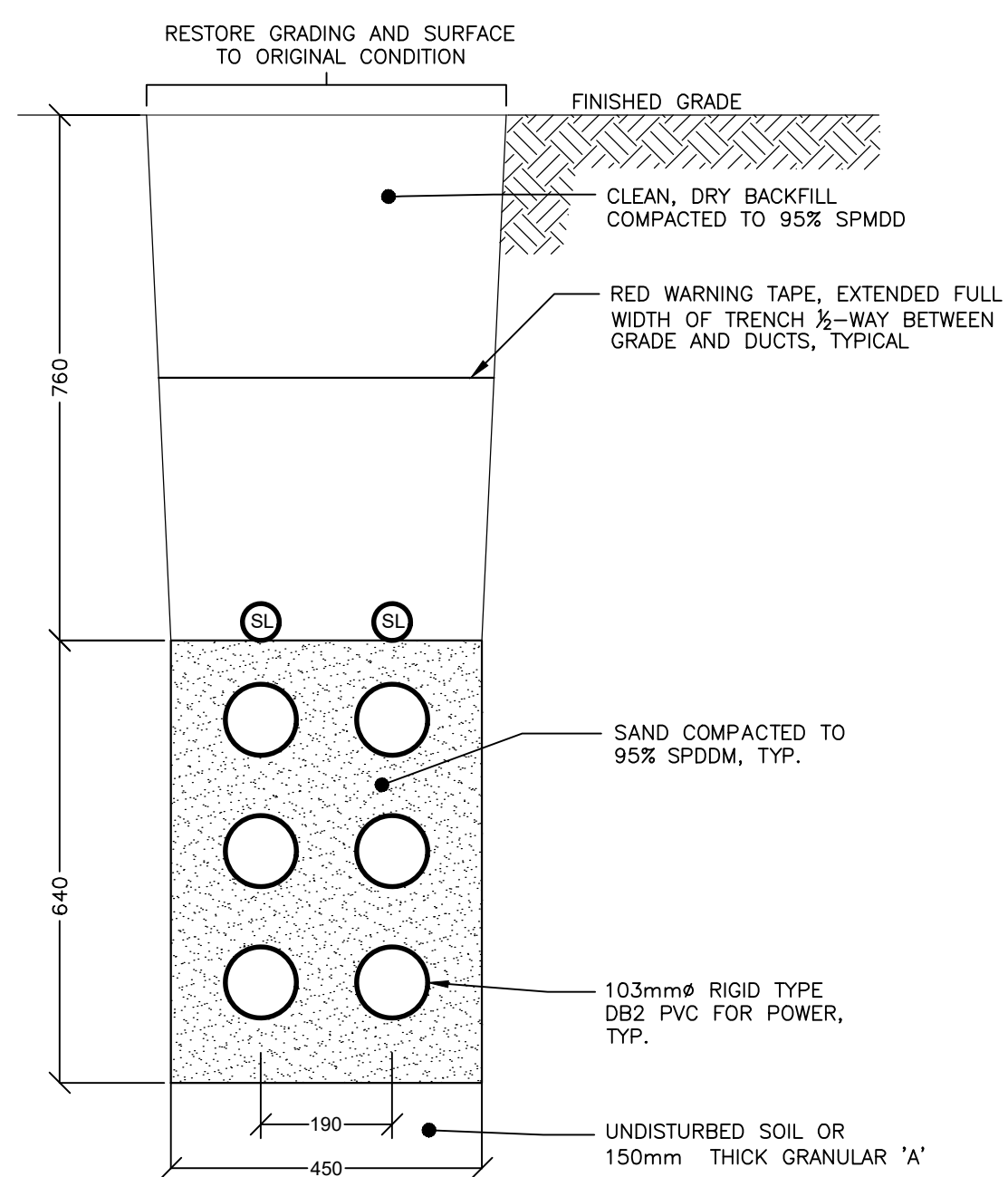
Drawn By: RJW
Scale:

Checked By: GGR
Project No: 20159P

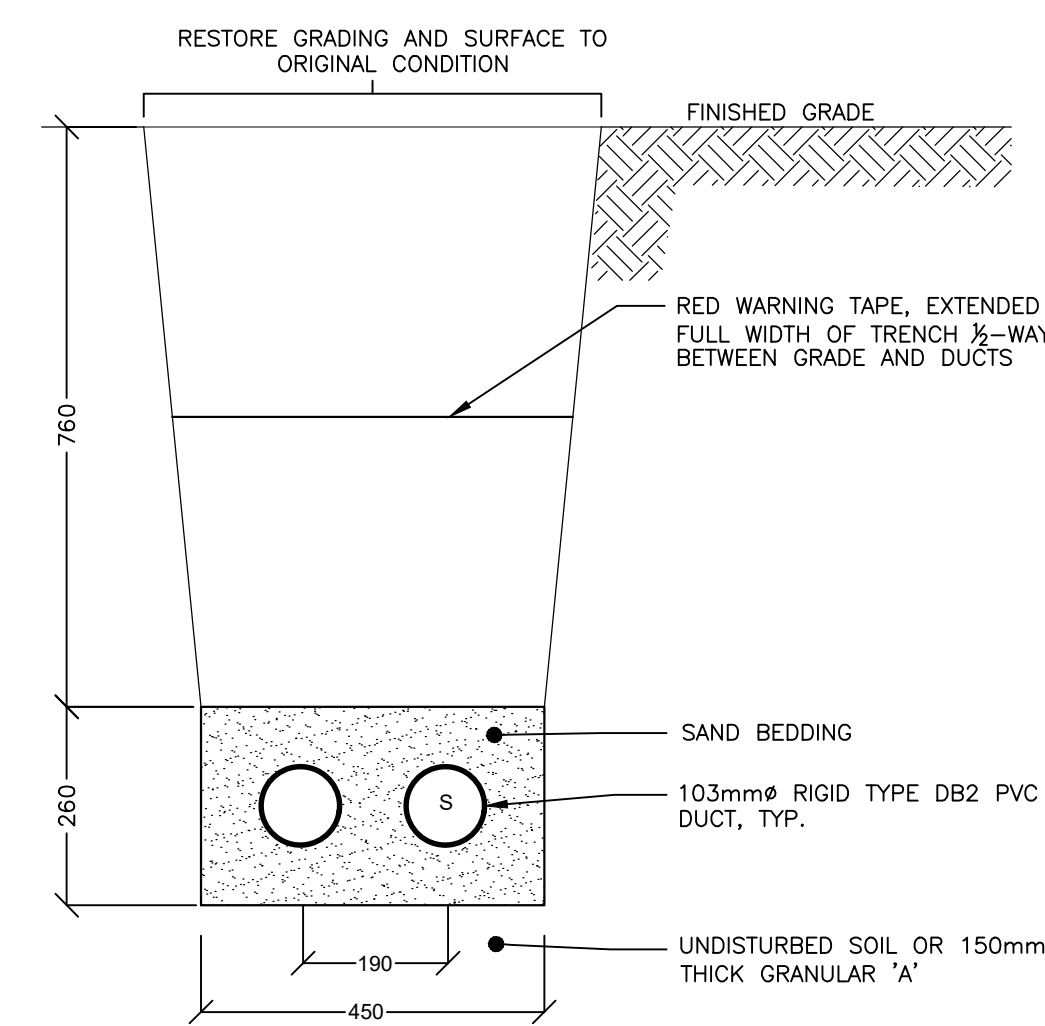
Drawing No: E1



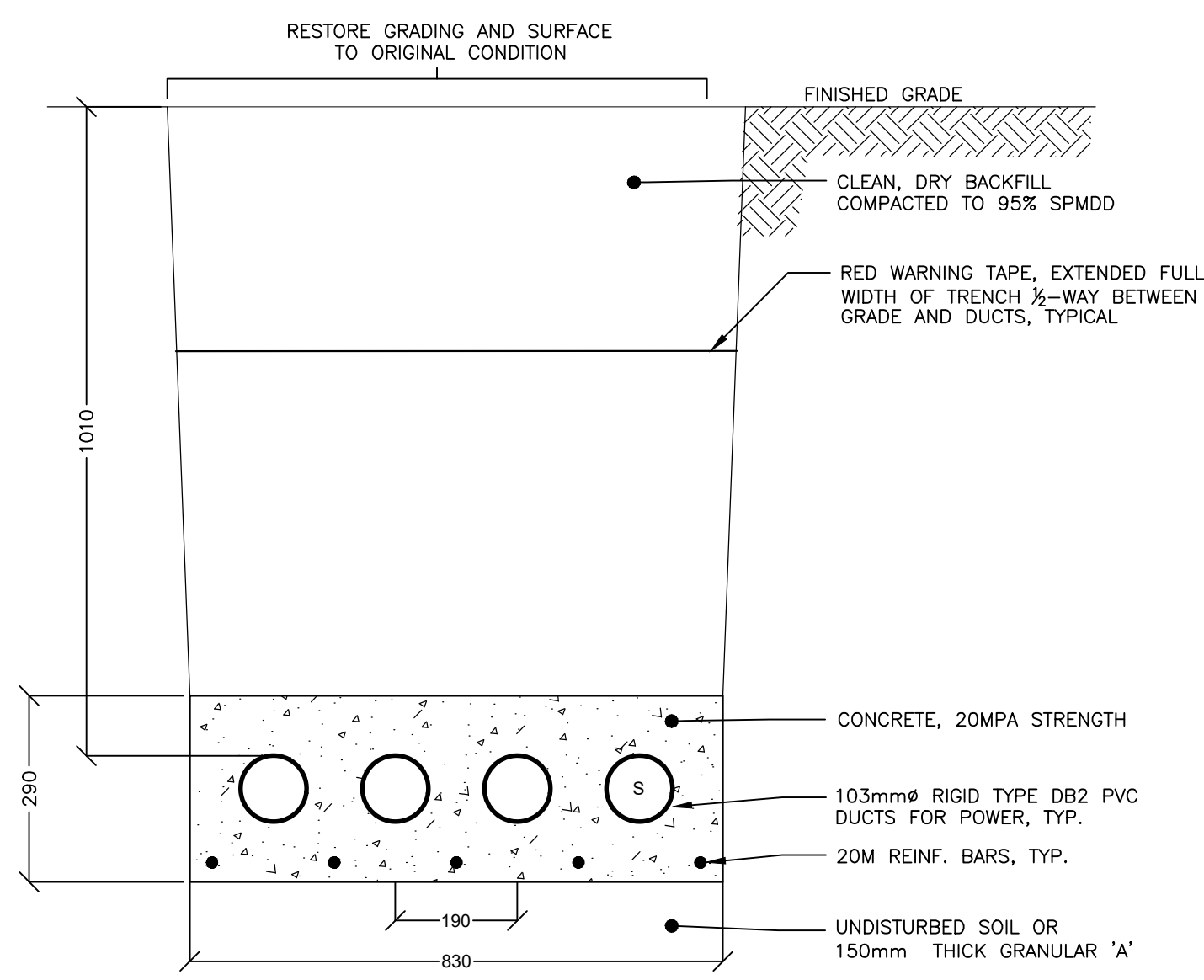
5 LIGHTING AND POWER DUCTBANK
- NTS 1



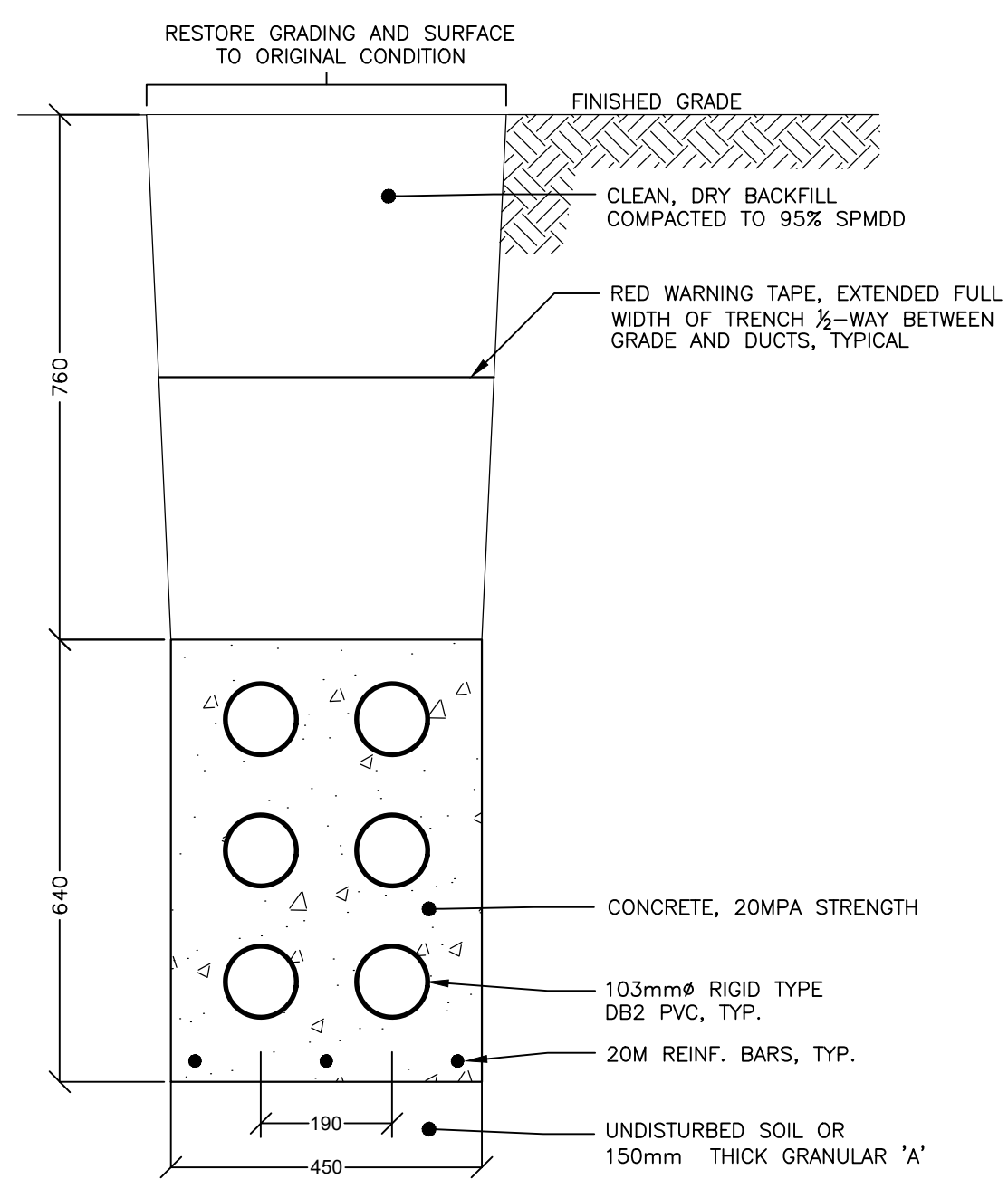
6 SECONDARY DUCTBANK
- NTS 1



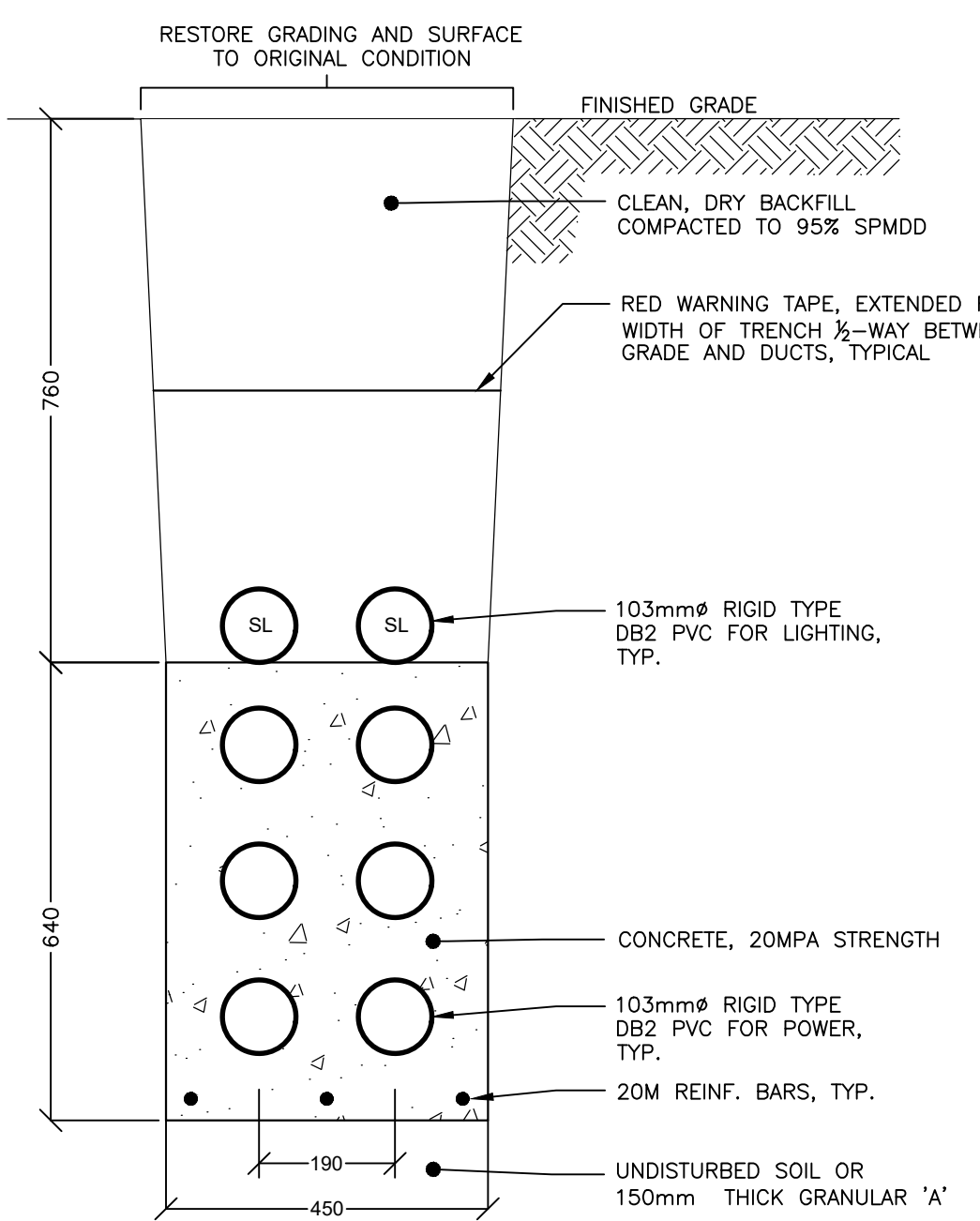
7 SECONDARY DUCTBANK
- NTS 1



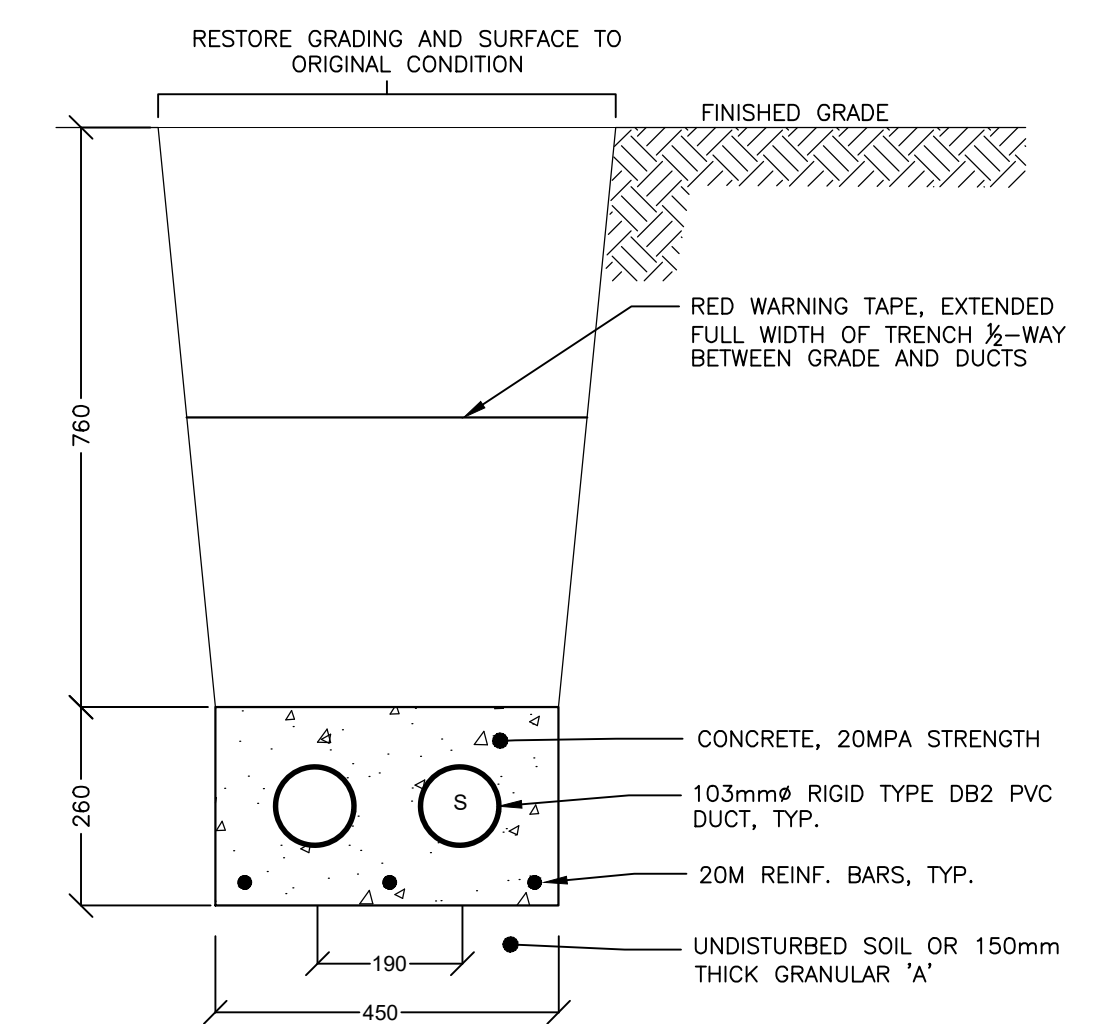
1 PRIMARY & COMMUNICATION DUCTBANK
- NTS 1



2 RC-01 ROAD CROSSING DUCTBANK
- NTS 1

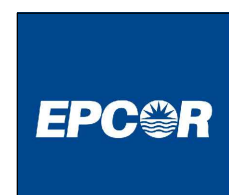


3 RC-02 ROAD CROSSING DUCTBANK
- NTS 1



4 RC-03, RC-04 & RC-05 ROAD CROSSING DUCTBANK
- NTS 1

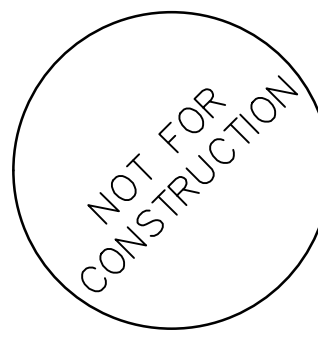
1. This drawing is the exclusive property of Runge & Associates Inc. and the reproduction of any part without prior written consent of this office is strictly prohibited.
2. The contractor shall verify all dimensions, levels, and datums on site and report any discrepancies or omissions to this office prior to construction.
3. This drawing is to be read and understood in conjunction with all other plans and documents applicable to this project.



43 Stewart Road,
Collingwood, Ontario
L9Y 3Z5

ACCEPTED FOR
CONSTRUCTION
EPCOR

per
Date:



No.	ISSUE OR REVISION	DATE DD/MM/YY	ISSUER
1	ISSUED FOR PRELIMINARY REVIEW	16/11/20	SRT
2	ISSUED FOR SITE PLAN APPROVAL	19/11/20	SRT



Runge & Associates Inc.
864 Hurontario Street
P.O. Box 387
Collingwood, ON L9Y 3Z7
t: (705) 446-3590
f: (705) 446-3588
www.raengineers.ca

Client
VICTORIA ANNEX DEVELOPMENT

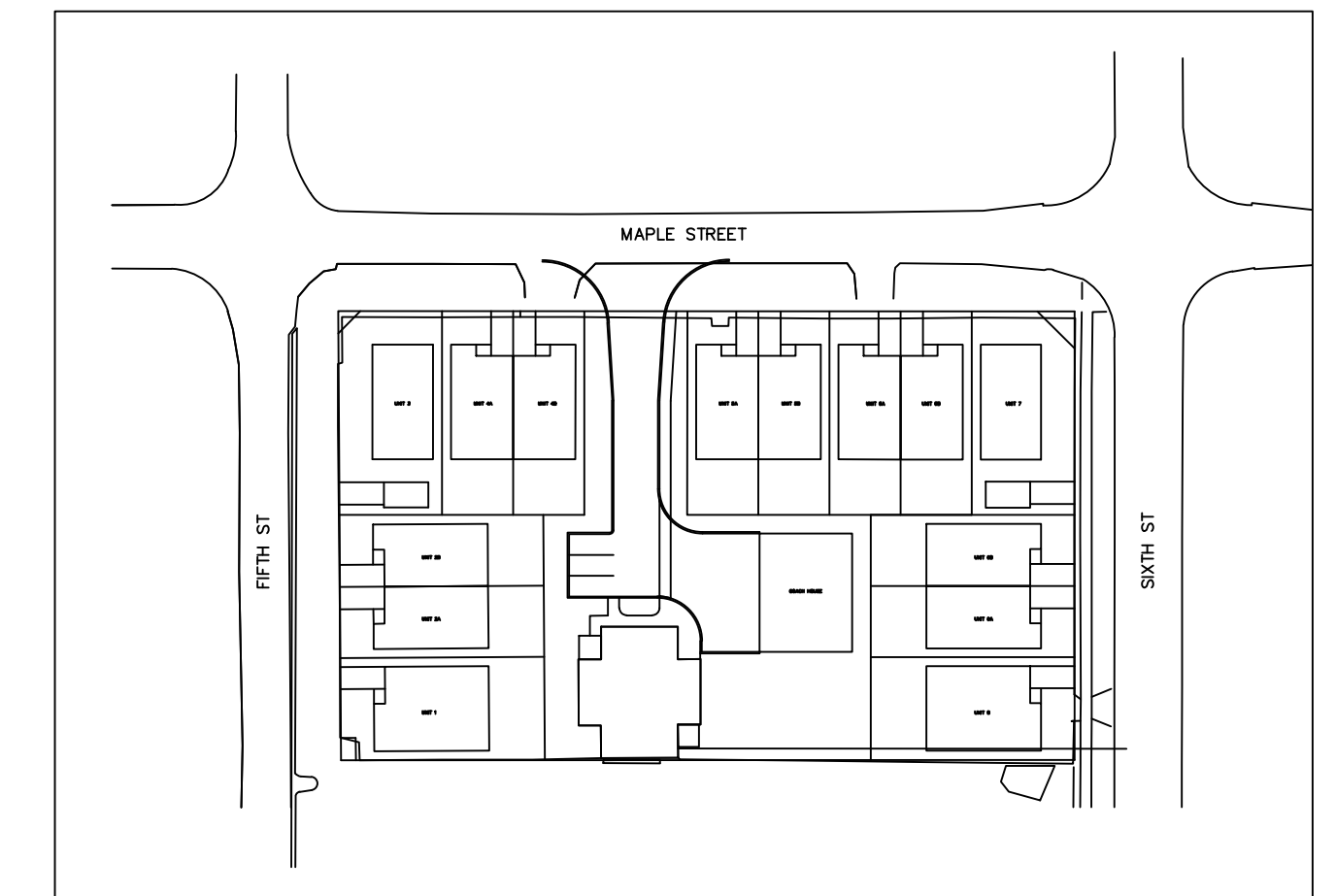
Project Name
VICTORIA ANNEX DEVELOPMENT
TOWN OF COLLINGWOOD
ONTARIO

Drawing Title
DUCTBANK DETAILS &
STREETLIGHT POWER PEDESTAL

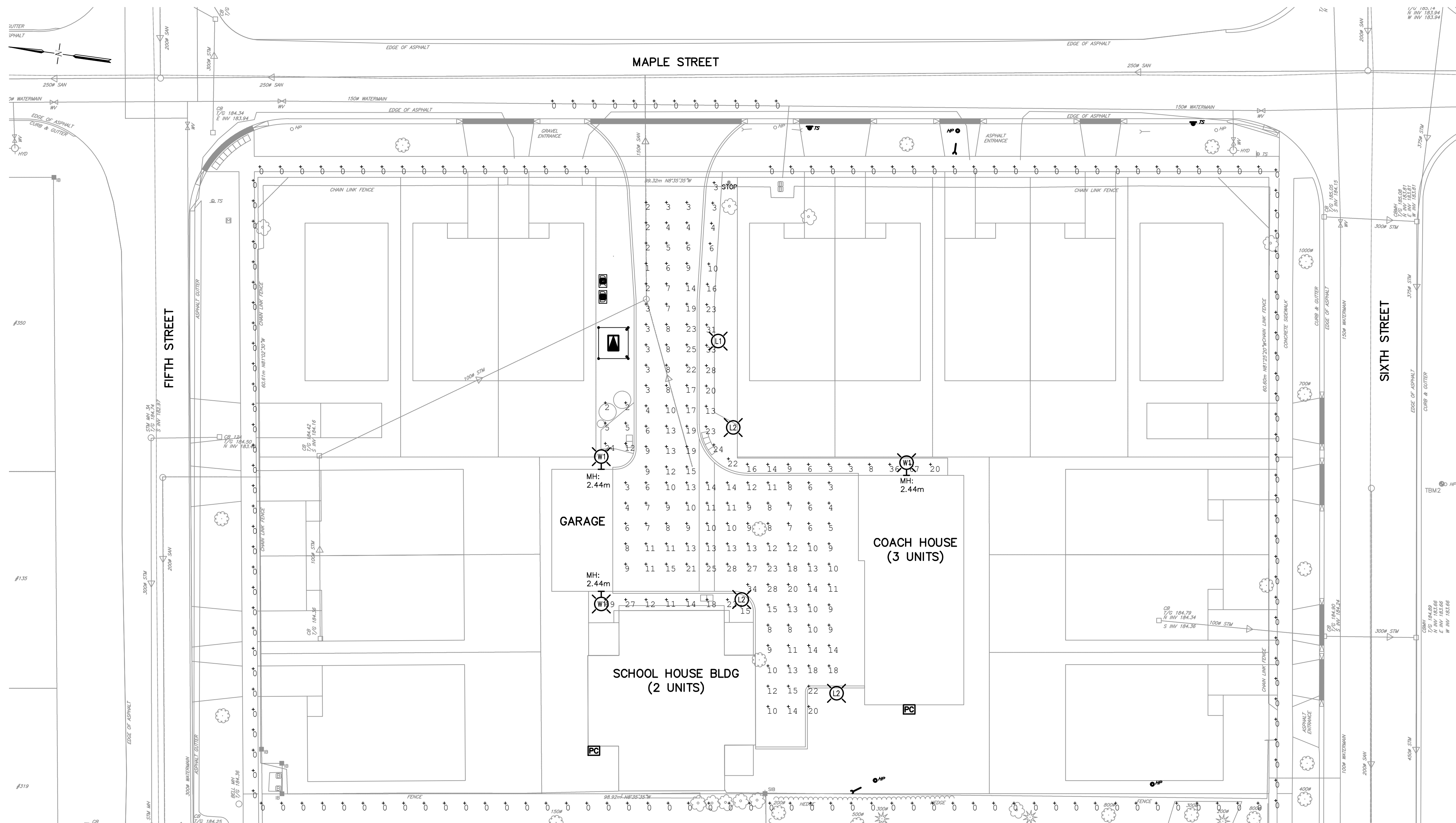
Drawn By
R/WJ
Scale
Checked By
GGR
Project No.
20158P
Drawing No.
E2

Symbol	Qty	Label	Arr.	Arr. Watts	Lum. Lumens	LLF	Description	BUG Rating
	2	L1	SINGLE	36	3500	0.870	HCI-36LED-II-M--4-HSS-2x60D	B1-U0-G1
	2	L2	SINGLE	36	3090	0.870	HCI-36LED-IV-S-4-HSS-2x60D	B0-U0-G1
	3	W1	SINGLE	19	2649	0.435	SWP-2L-U-40-BR2	B1-U0-G0

Label	CalcType	Units	Avg	Max	Min	Avg/Min
01 Entrance	Illuminance	Lux	0.0	0	0	N.A.
01 Entrance Road	Illuminance	Lux	9.0	25	1	9.0
02 Parking	Illuminance	Lux	12.0	34	3	4.0
03 Sidewalk 1	Illuminance	Lux	17.6	67	3	5.9
03 Sidewalk 2	Illuminance	Lux	23.6	69	11	2.2
04 Property Line	Illuminance	Lux	0.0	0	0	N.A.
05 Garbage Collection Area	Illuminance	Lux	8.3	24	2	4.2



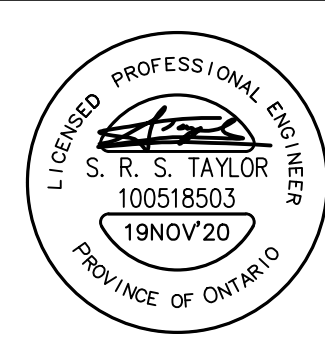
KEYPLAN n.t.s



1 ELECTRICAL SITE PLAN - PHOTOMETRIC LAYOUT
E3 - SCALE 1:250. DIMENSIONS SHOWN IN MILLIMETERS (mm).

1. This drawing is the exclusive property of Runge & Associates Inc. and the reproduction of any part without prior written consent of this office is strictly prohibited.
2. The contractor shall verify all dimensions, levels, and datums on site and report any discrepancies or omissions to this office prior to construction.
3. This drawing is to be read and understood in conjunction with all other plans and documents applicable to this project.

ACCEPTED FOR CONSTRUCTION EPCOR
per
Date:

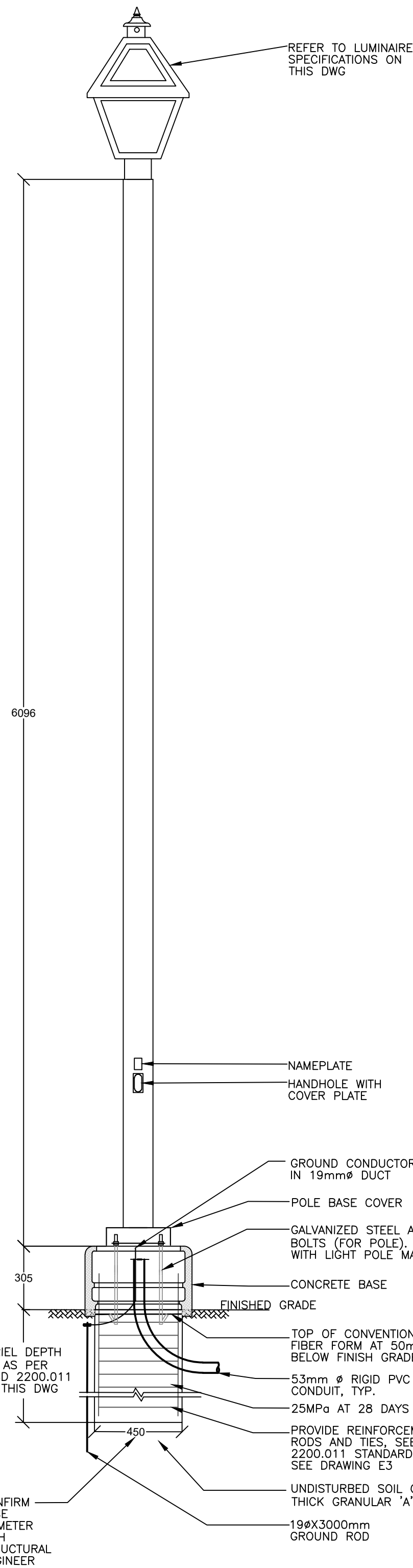


No.	ISSUE OR REVISION	DATE DD/MM/YY	ISSUER
1	ISSUED FOR PRELIMINARY REVIEW	16/11/20	SRT
2	ISSUED FOR SITE PLAN APPROVAL	19/11/20	SRT

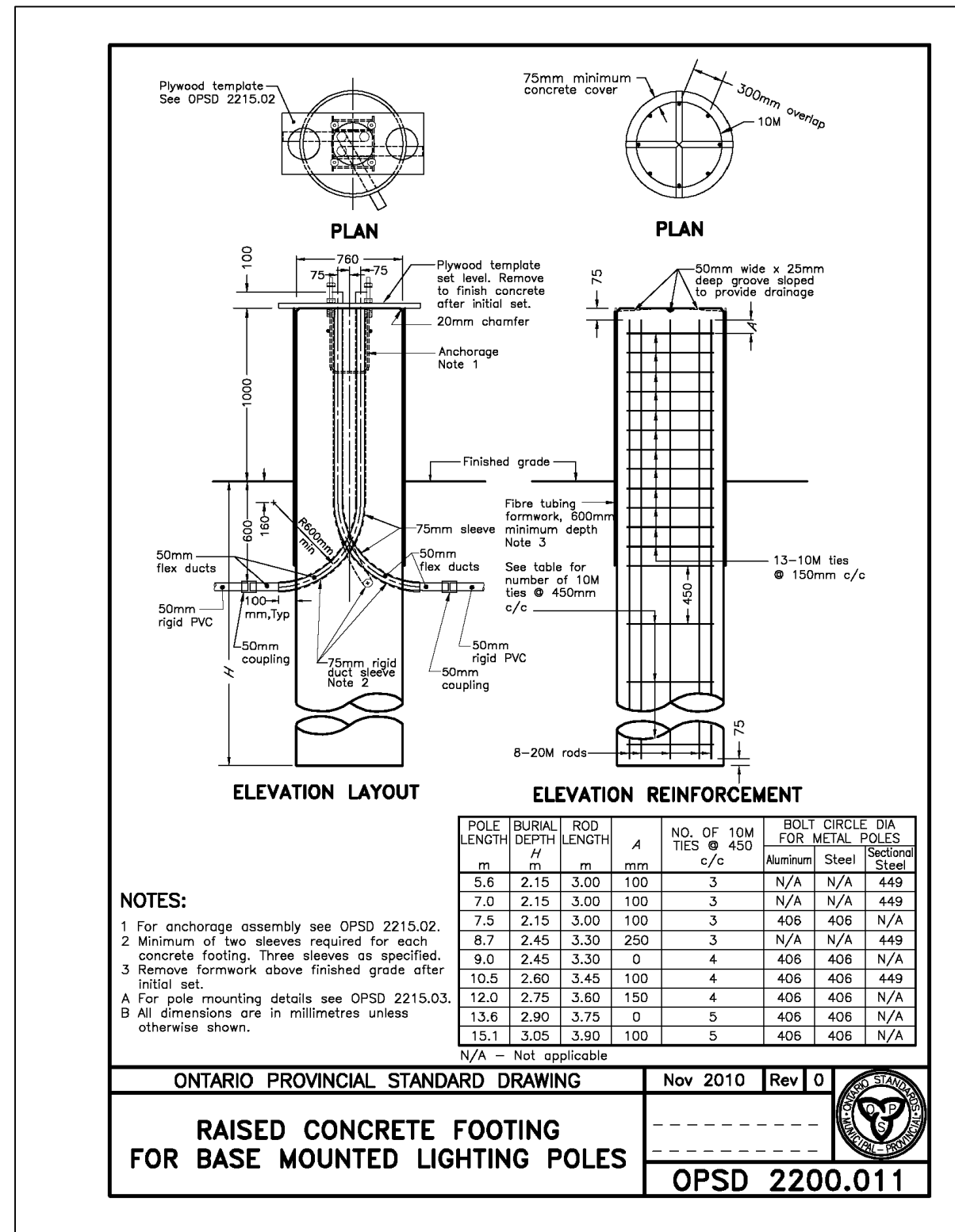
RUNGE ENGINEERING
Runge & Associates Inc.
864 Hurontario Street
P.O. Box 387
Collingwood, ON L9Y 3Z7
bc: (705) 446-3590
t: (705) 446-3588
www.rungeengineers.ca

Client: VICTORIA ANNEX DEVELOPMENT
Project Name: VICTORIA ANNEX DEVELOPMENT TOWN OF COLLINGWOOD ONTARIO
Drawing Title: LIGHTING PHOTOMETRICS LAYOUT
Drawn By: RJW
Scale:

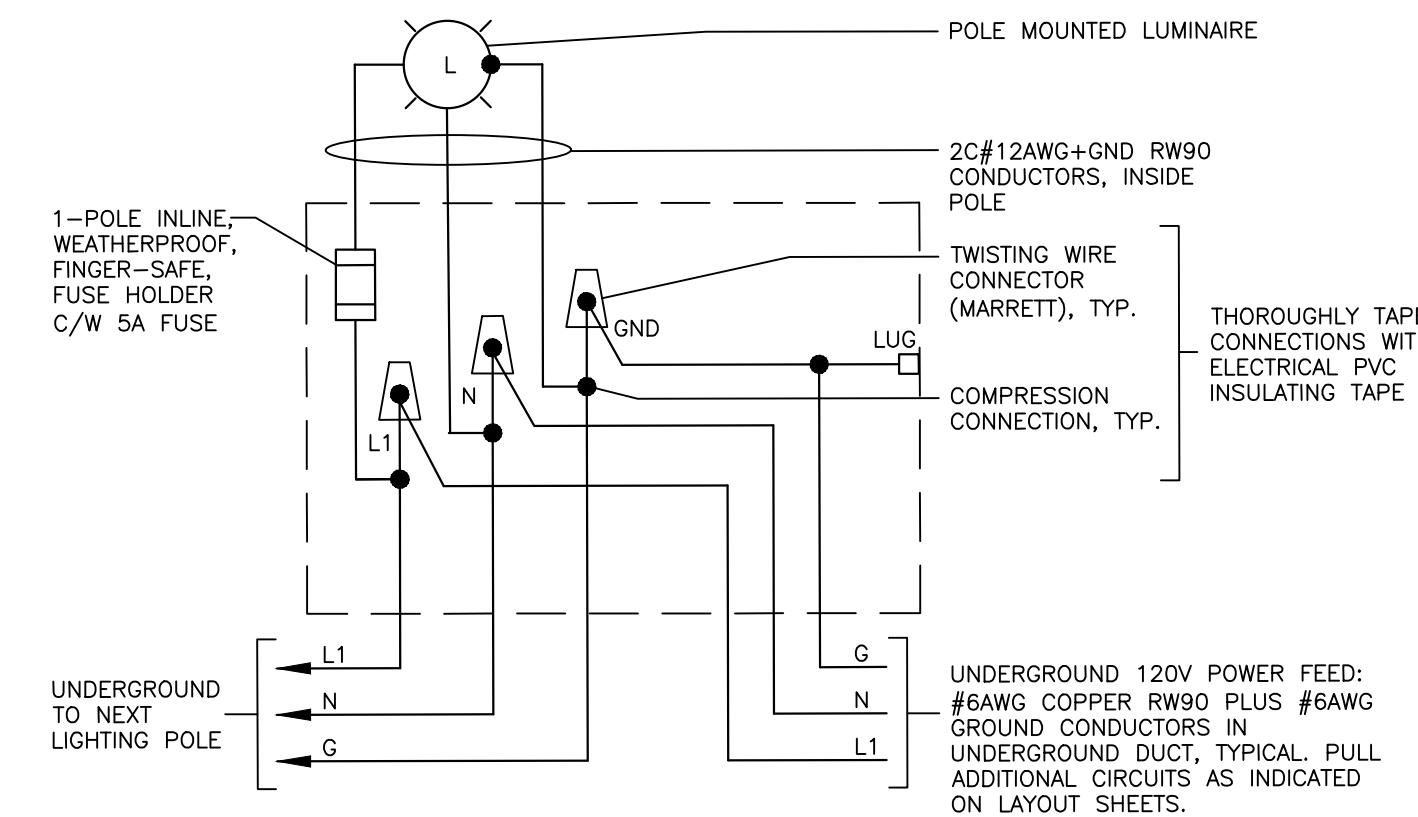
Checked By: GGR
Project No: 20159P
Drawing No: E3



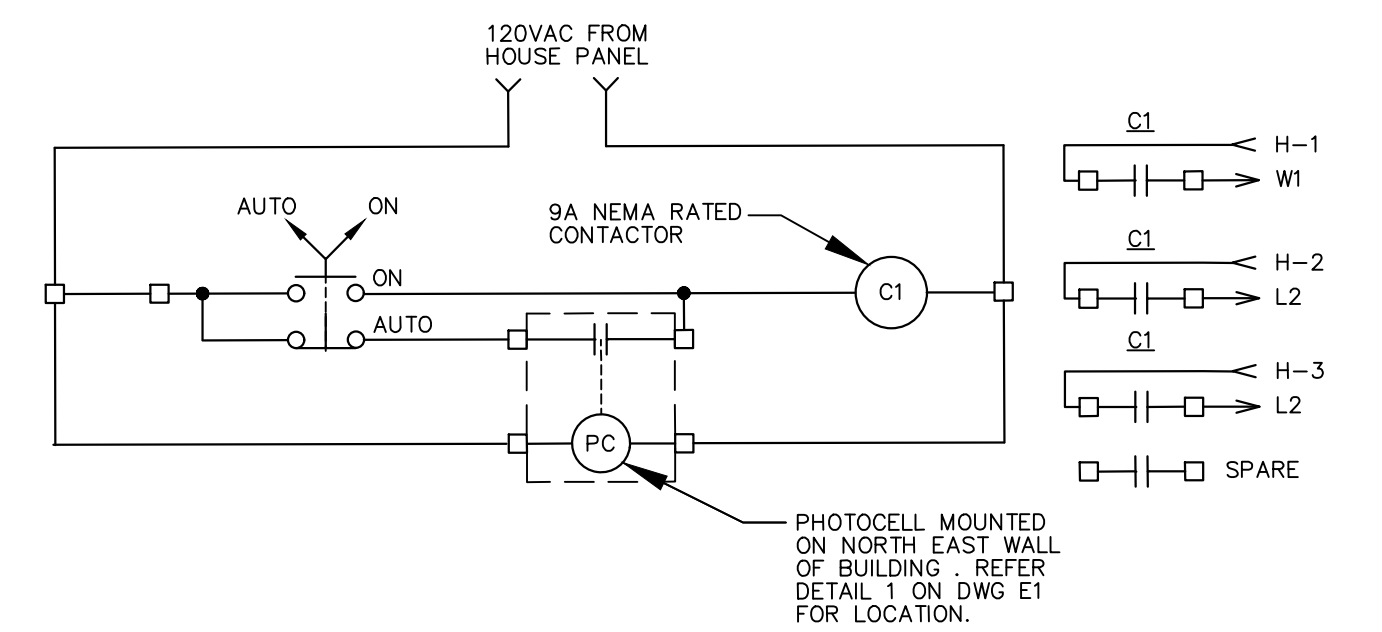
1 E4 L1 & L2 LUMINAIRE AND POLE INSTALLATION DETAIL
- NTS, DIMENSIONS SHOWN IN MILLIMETERS (mm).



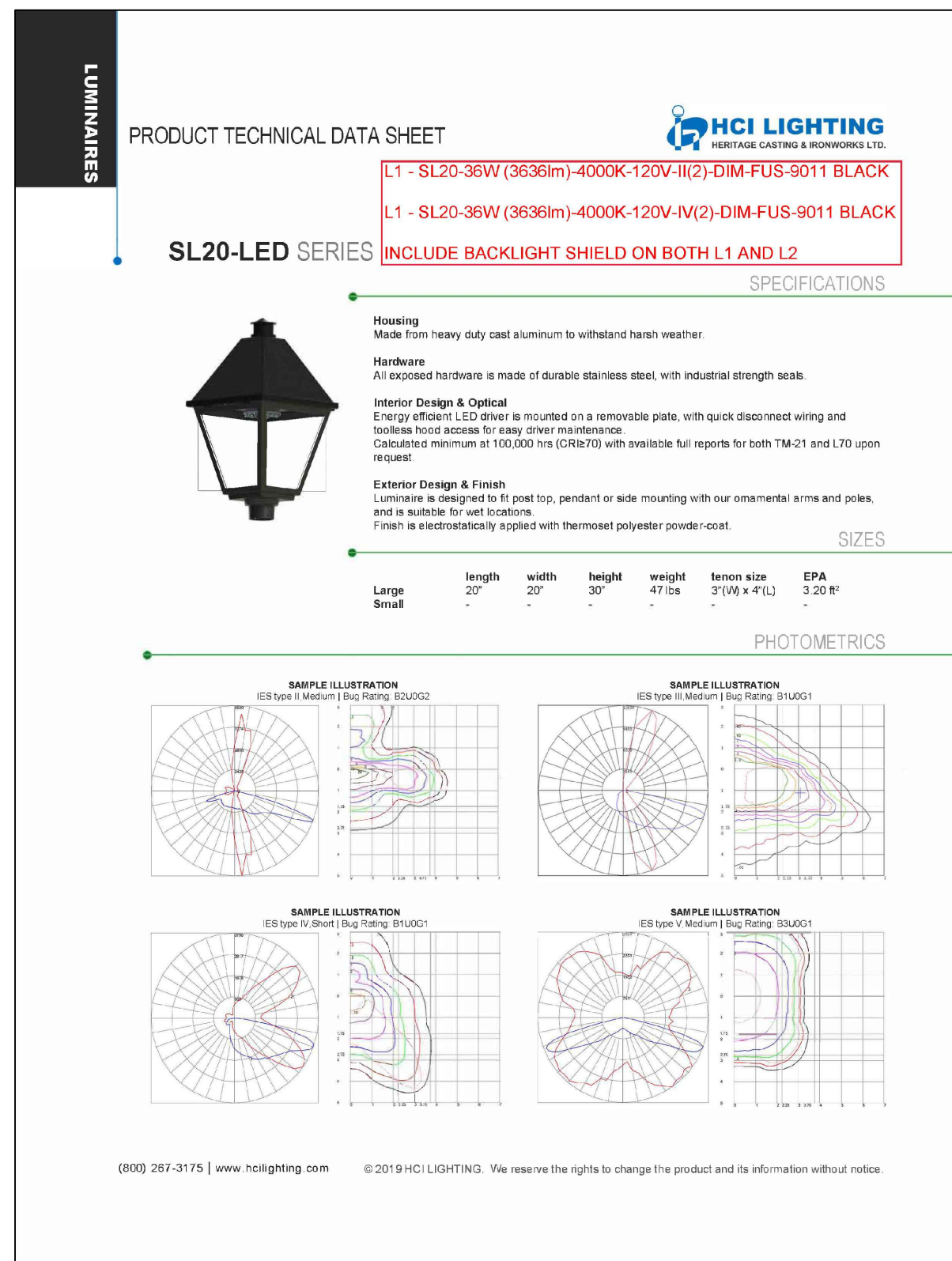
3 E4 OPSD 2200.011 RAISED CONCRETE FOOTING STANDARD
- NTS, DIMENSIONS SHOWN IN MILLIMETERS (mm).
- CONTRACTOR TO VERIFY 450mm CONCRETE BASE IS STRUCTURALLY SUITABLE FOR MOUNTING OF PROPOSED POLE AND LUMINAIRE.



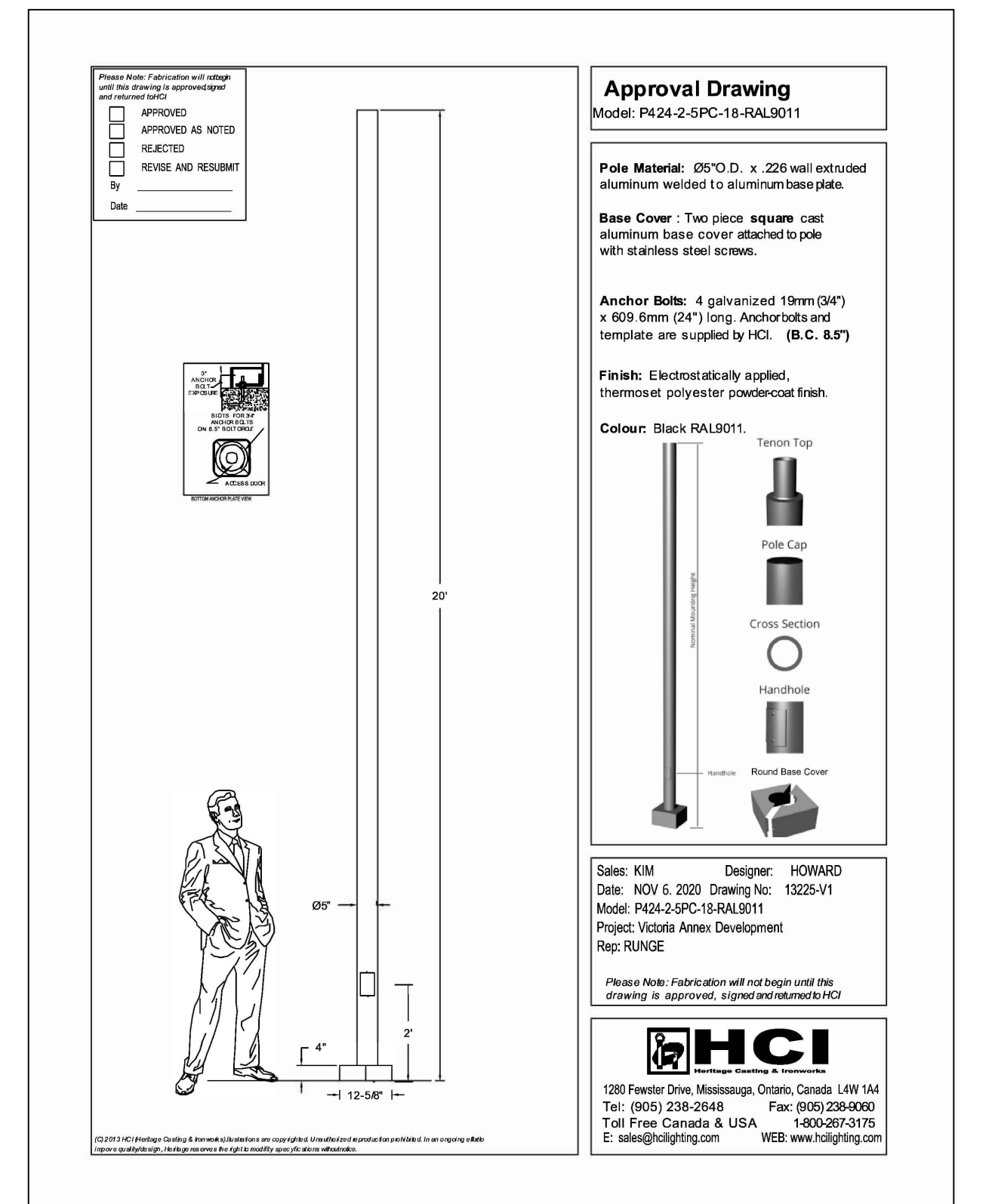
4 E4 TYPICAL WIRING DETAIL FOR STREET LIGHT
- NTS



5 E4 TYPICAL "OUTDOOR" LIGHTING PHOTOCELL CONTROL WIRING DIAGRAM
- NTS, PROVIDE ENCLOSURE TO SUIT CONTROL DEVICES
- DETAIL FOR EXTERIOR LIGHTING BEING SUPPLIED FROM BEACH HOUSE PANEL HH-1
- SIMILAR DETAIL FOR EXTERIOR LIGHTING BEING SUPPLIED FROM SCHOOL HOUSE HH-2.

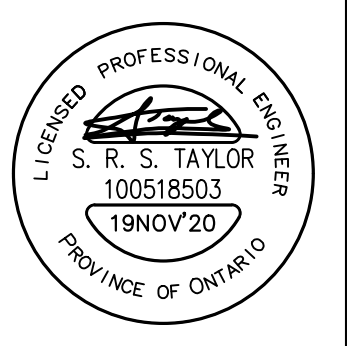


2 E4 L1 & L2 LUMINAIRE AND POLE CATALOGUE SHEETS
- NTS, DIMENSIONS SHOWN IN MILLIMETERS (mm).



1. This drawing is the exclusive property of Runge & Associates Inc. and the reproduction of any part without prior written consent of this office is strictly prohibited.
2. The contractor shall verify all dimensions, levels, and datums on site and report any discrepancies or omissions to this office prior to construction.
3. This drawing is to be read and understood in conjunction with all other plans and documents applicable to this project.

ACCEPTED FOR CONSTRUCTION EPCOR
per
Date:



No.	ISSUE OR REVISION	DATE DD/MM/YY	ISSUER
1	ISSUED FOR PRELIMINARY REVIEW	16/11/20	SRT
2	ISSUED FOR SITE PLAN APPROVAL	19/11/20	SRT

RUNGE ENGINEERING
Runge & Associates Inc.
864 Hurontario Street
P.O. Box 387
Collingwood, ON L9Y 3Z7
b: (705) 446-3590
f: (705) 446-3588
www.rungeengineers.ca

Client: VICTORIA ANNEX DEVELOPMENT
Project Name: VICTORIA ANNEX DEVELOPMENT TOWN OF COLLINGWOOD ONTARIO
Drawing Title: INSTALLATION DETAILS
Drawn By: RJW
Checked By: GGR
Project No.: 20159P
Drawing No.: E4