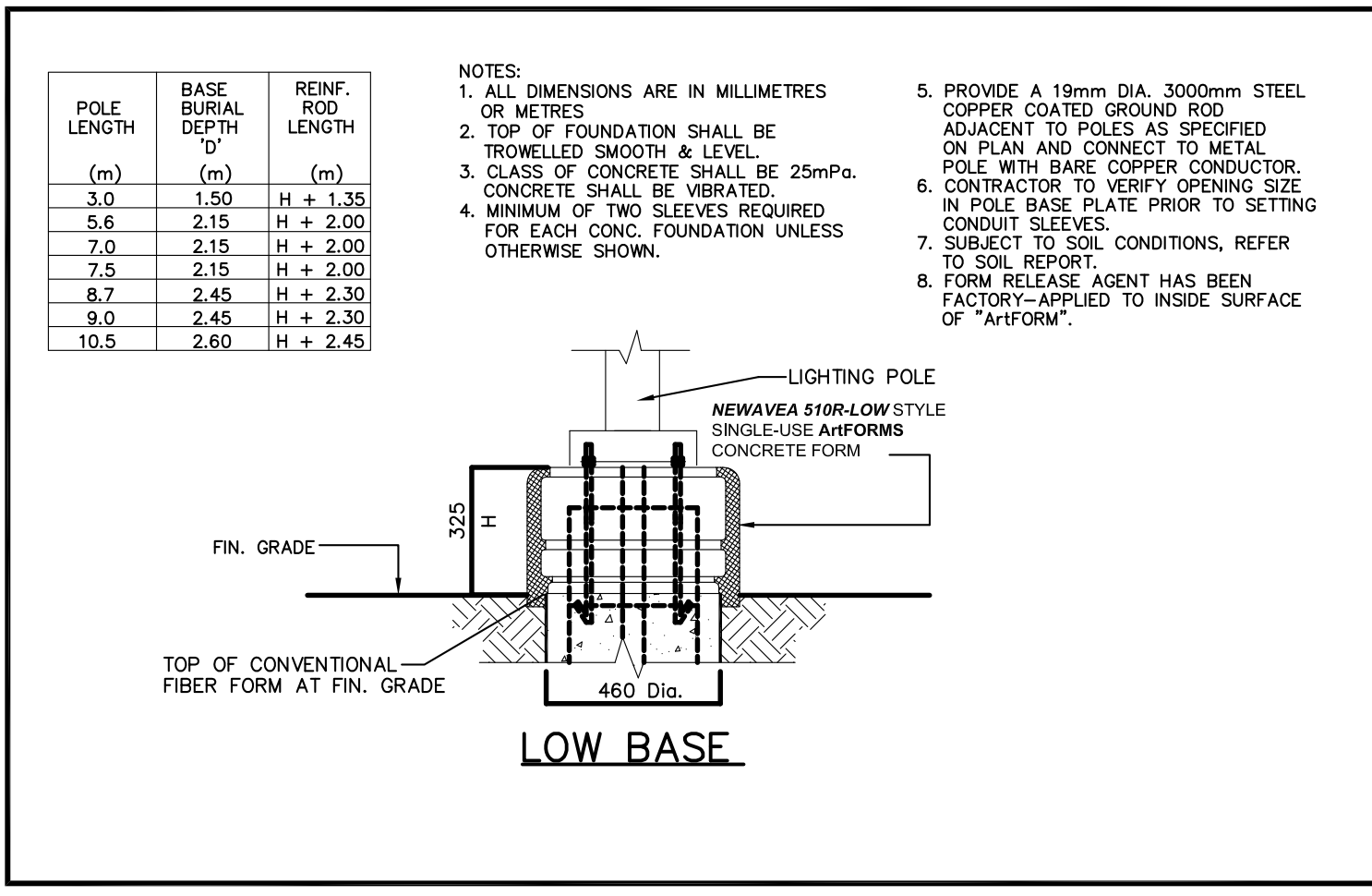


**A LIGHTING POLE DETAIL (ARTFORM KELLAMY 610R)**  
 ESL01 N.T.S.



**B LIGHTING POLE DETAIL (ARTFORM NEWAVEA 510R - LOW BASE)**  
 ESL01 N.T.S.



**FIXTURE TYPE 'A' TO 'C'**  
 SCALE: N.T.S.

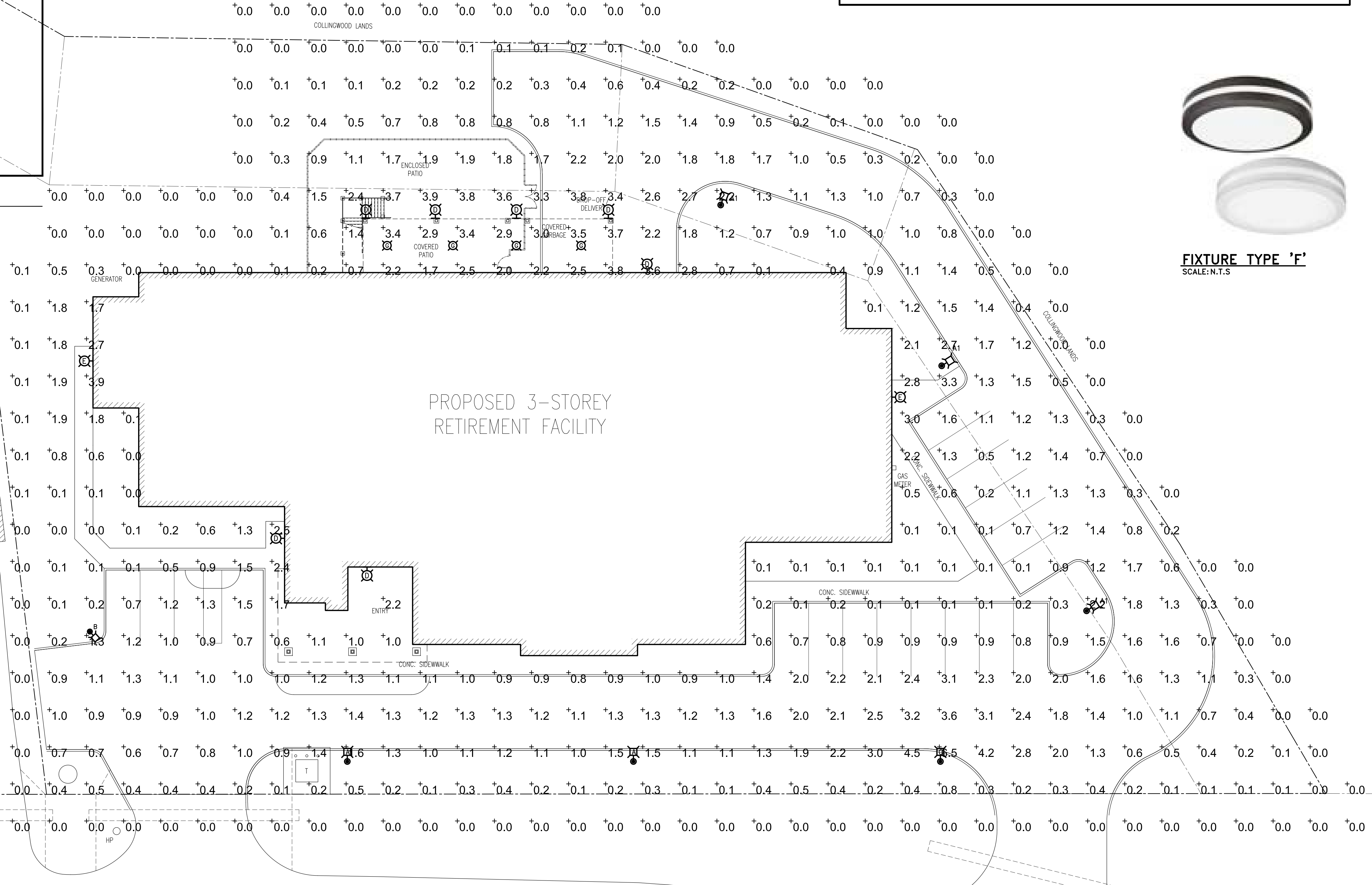


**FIXTURE TYPE 'D' & 'E'**  
 SCALE: N.T.S.

Symbol	Label	Catalog Number	Description	Lumens	LLF	Watts
A	MCGRW-EDISON CAT.# GLEON-AF-01-LED-E1-SL2-8030-600-P OURA1016	GALLEON AREA AND ROADWAY LUMINAIRE (1) 80 CRI, 3000K, 615mA LIGHTSQUARE WITH 16 LEADS EACH AND TYPE II SPILL LIGHT ELIMINATOR OPTICS & BUILT-IN PHOTOCELL. COLOR SPECIFY BY ARCH./OWNER	Absolute	0.95	34	
A1	MCGRW-EDISON CAT.# GLEON-AF-01-LED-E1-SL2-8030-600-P OURA1016	GALLEON AREA AND ROADWAY LUMINAIRE (1) 80 CRI, 3000K, 615mA LIGHTSQUARE WITH 16 LEADS EACH AND TYPE II SPILL LIGHT ELIMINATOR OPTICS & BUILT-IN PHOTOCELL. COLOR SPECIFY BY ARCH./OWNER	Absolute	0.95	34	
B	MCGRW-EDISON CAT.# GLEON-AF-01-LED-E1-SL4-8030-600 OURA1016	GALLEON AREA AND ROADWAY LUMINAIRE (1) 80 CRI, 3000K, 615mA LIGHTSQUARE WITH 16 LEADS EACH AND TYPE II SPILL LIGHT ELIMINATOR OPTICS & BUILT-IN PHOTOCELL. COLOR SPECIFY BY ARCH./OWNER	Absolute	0.95	34	
C	MCGRW-EDISON CAT.# GLEON-AF-02-LED-E1-SL3-8030-P OURA1016	GALLEON AREA AND ROADWAY LUMINAIRE (2) 80 CRI, 3000K, 1050mA LIGHTSQUARES WITH 16 LEADS EACH AND TYPE II SPILL LIGHT ELIMINATOR OPTICS & BUILT-IN PHOTOCELL. COLOR SPECIFY BY ARCH./OWNER	Absolute	0.95	113	
D	MCGRW-EDISON CAT.# ISW-AF-350-LED-E1-SL4-8030-P	IMPACT ELITE LED WEDGE LUMINAIRE LIGHT SQUARE WITH ACCUED OPTICS-TYPE IV W/SPILL CONTROL & BUILT-IN PHOTOCELL COLOR SPECIFY BY ARCH./OWNER HEIGHT AS PER ARCH. EXT. ELEVATION	Absolute	0.95	20.09	
E	MCGRW-EDISON CAT.# ISW-AF-350-LED-E1-SL3-8030-P	IMPACT ELITE LED WEDGE LUMINAIRE LIGHT SQUARE WITH ACCUED OPTICS-TYPE IV W/SPILL CONTROL & BUILT-IN PHOTOCELL COLOR SPECIFY BY ARCH./OWNER HEIGHT AS PER ARCH. EXT. ELEVATION	Absolute	0.95	20.09	
F	LITHONIA CAT.# OLCFM 15	GENERAL PURPOSE LED SURFACE MTD. FIXTURE	Absolute	0.95	16.5	



**FIXTURE TYPE 'F'**  
 SCALE: N.T.S.



**SITE PLAN**  
 SCALE: 1:200

RAGLAN STREET

These drawings, specifications, etc. are the property of R. M. Montgomery Engineering Inc. and must be returned upon request. Any duplication, reuse, revisions and/or distribution in part or whole without the prior written authorization of R. M. Montgomery Engineering Inc. is strictly prohibited. Each contractor shall check and verify all dimensions and report all errors and omissions to the Engineer. These documents reflect the best judgment of R. M. Montgomery Engineering Inc. in light of the information available to them at the time of preparation. Any use which a third party makes of these documents, or any reliance on or decisions to be made based on them, is the sole responsibility of such third party. R. M. Montgomery Engineering Inc. accepts no responsibility for damages, if any, suffered by any third party as a result of decisions made or actions based on these documents. Do not scale these drawings. Copyright 2018 R. M. Montgomery Engineering Inc.

NO	DATE	DESCRIPTION	BY
1	JUN. 22 '18	ISSUED FOR SITE PLAN APPROVAL	R.M.

REVISIONS

**R.M. MONTGOMERY ENGINEERING INC.**  
 MECHANICAL & ELECTRICAL ENGINEERS  
 192 NICKLIN ROAD, GUELPH, ON N1H 7L5  
 TEL: (519) 767-0514 FAX: (519) 767-1361

PROJECT TITLE		
COLLINGWOOD RETIREMENT 36 RESIDENTS 92 RAGLAN STREET		
COLLINGWOOD, ONTARIO		
DRAWING TITLE		
SITE PLAN PHOTOMETRIC & STATISTICS		
DRAWN BY	CHECKED BY	SCALE
R.V.	R.M.	AS NOTED
PROJECT No.	DATE	DRAWING No.
CO-43A	MAY '17	ESL01